



Ergonomic  
and flexible  
working

# ZG1 Monitor Arm

ZG1 Monitor Arm not only features impressive ergonomics and convenient positioning. Its design is also a real highlight. In line with the Clean Desk principle, cables are simply hidden by cover plates that can be removed easily. Magnetic panels complete the appealing, modern design.

Functionally, its stability is impressive: Based on spring force technology, the arm easily supports even large monitors (3-11 kg, <34"). The 360° rotation with the smart 180° lock feature ensures individual and secure positioning. The ZG1 Monitor Arm is easy to mount using the handy mounting tool set behind the removable panels.

To avoid collisions under the desk, the mounting brackets are fixed to the tabletop edge from above.

## BENEFITS

- Can be mounted from above
- High load capacity of up to 11 kg
- Clean Desk thanks to concealed cables
- Flexible positioning



**BACH  
MANN**  
We power your life.



**Smart in approach:**

Concealed under the magnetic panels, the right mounting tool is always to hand.



**Easy mounting:**

No need to crawl under the desk – with mounting brackets, the base can be fixed effortlessly from above.



**Surprisingly strong:**

The strength of the ZG1 Monitor Arm enables it to carry monitors with a weight of up to 11 kg and a size of up to 34\".

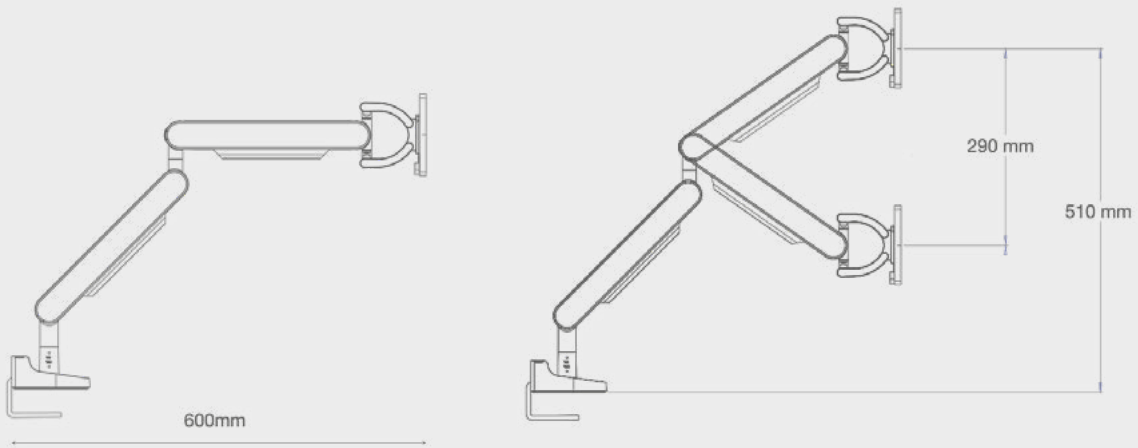


**Overshoot protection:**

The 180° lock feature protects monitors against collisions with the rear wall.



Complete flexibility in **mobility**



glossy chrome



black



white

## ZG1 Monitor Arm

#	
---	--

**ZG1 Monitor Arm** | Dimensions (W x H): 600 x 510 mm | Monitor size 17"-34" | Load capacity up to 11 kg | Monitor not included in scope of delivery

945.001	Monitor Arm black
945.002	Monitor Arm white
945.003	Monitor Arm glossy chrome



For more information please visit [www.bachmann.com](http://www.bachmann.com).